

■ Features:

- High frequency transformer design is capable of driving high reactive
- Pure Sine Wave output(THD<3%)
- Power ON/OFF remote control(optional)
- Input & output fully isolation
- Input Protection: Reverse Polarity(Fuse)/Under Voltage/Over Voltage
- Output Protection: Short Circuit / Overload /Over Temperature / Earth Fault / Soft Start
- Germany technology , Made in china
- 100% real power, High surge power,2 year warranty
- E8/CE approved


■ Specification:

MODEL		NP300-112	NP300-124	NP300-212	NP300-224
Output	AC Voltage	100/110/120VAC		220/230/240VAC	
	Rated Power	300W			
	Surge Power	Load 120~150%(3min.);600W (3sec;resistive)			
	Waveform	Pure Sine Wave(THD<3%)			
	Frequency	50/60Hz ±0.05%			
	AC Regulation	±5%		±10%	
	Power Factor Allowed	COSθ-90°~COSθ+90°			
	Standard Receptacles	USA/British/Franch/Schuko /UK/Australia/Universal etc. optional			
	LED Indicator	Green for power on, red for faulty status			
USB port	5V 2.1A				
Input	No Load Current Draw	≤0.50A	≤0.40A	≤0.50A	≤0.40A
	DC Voltage	12VDC	24VDC	12VDC	24VDC
	Voltage Range	10.5~15VDC	21~30VDC	10.5~15VDC	21~30VDC
	Efficiency(Typ.)	89%~93%			
	Fuse	50A×1	25A×1	50A×1	25A×1
	Remote Control	Function (optional)			
Protection	BAT. Low Alarm	10.5±0.5VDC	21±1.0VDC	10.5±0.5VDC	21±1.0VDC
	BAT. Low Shutdown	10±0.5VDC	20±1.0VDC	10±0.5VDC	20±1.0VDC
	Over Load	Shut down output voltage , restart to recover			
	Over Voltage	15.5±0.5VDC	31±1.0VDC	15.5±0.5VDC	31±1.0VDC
	Over Temperature	Shut down output voltage , recover automatically after temperature goes down			
	Output Short	Shut down output voltage , restart to recover			
	DC Input Reverse Polarity	By fuse			
	Earth Fault	Shut off o/p when the load has electrical leakage			
Soft Start	Yes, 3-5 Seconds				
Environment	Working Temp.	0~+50°C			
	Working Humidity	20~90%RH non-condensing			
	Storage Temp.&Humidity	-30~+70°C,10~95%RH			
Safety & EMC	Safety Standards	Certified UL 458(only for "GFCI" receptacles)		Certified EN 60950-1; 2006+A11: 2009+A1: 2010+A12: 2011+A2: 2013.	
	Isolation Resistance	I/P-O/P:100M Ohms/500VDC			
	EMI Conduction & Radiation	Certified FCC class A		Certified EN 62040-2:2006,EN61000-3-2; EN61000-3-3;	
	EMS Immunity	-----		Certified IEC61000-4-3, IEC61000-4-6	
	E-MARK	-----		Certified ECE RIO.05:2014	
Others	Dimension(L×W×H)	210×130×60mm			
	Packing	1.1kg;12pcs/14.4kg/0.054m³			
	Cooling	Load control fan or by thermal control fan			
	Application	Home and Office appliances,Portable Power Equipment,Vehicle,Yacht and Off-Gid Solar power systems...etc.			

Elizler Enerji

Adres: Mimar Sinan Mh 101. Cd Depocular Ve Yan Sanayiciler Sitesi D Blok No 4 Kapaklı Tekirdağ

Tel: 0282 6060818 - 0530 760 6438

 email : info@pantecsolar.com

 Website: www.pantecsolar.com

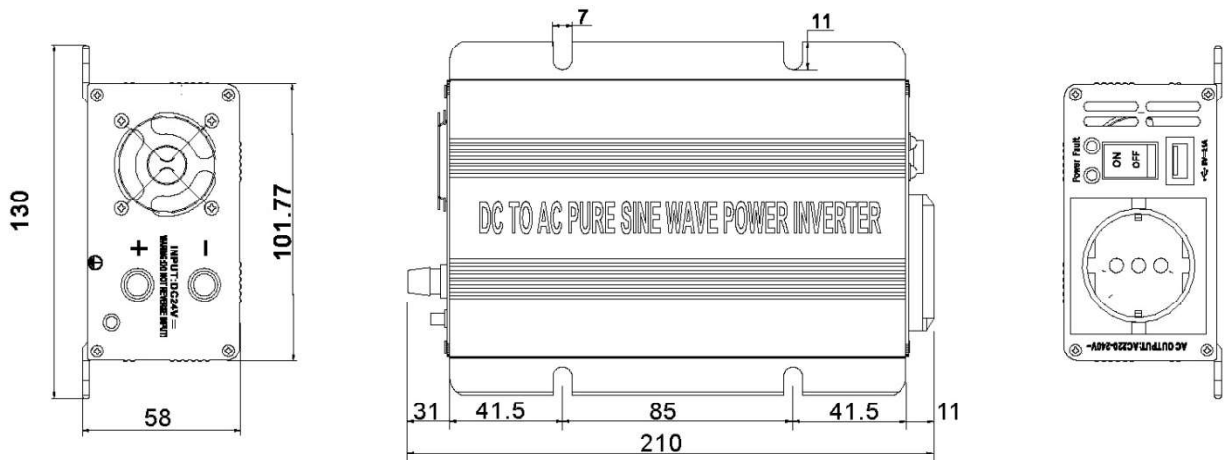
File Name:NP300-spec 09/08/16



■ Socket Type:

A	B	C	D	E	F	G	H	I	J	K

■ Mechanical Drawings:



Elizler Enerji

Adres: Mimar Sinan Mh 101. Cd Depocular Ve Yan Sanayiciler Sitesi D Blok No 4 Kapaklı Tekirdağ

Tel: 0282 6060818 - 0530 760 6438

email : info@pantecsolar.com

Website: www.pantecsolar.com

File Name:NP300-spec 09/08/16